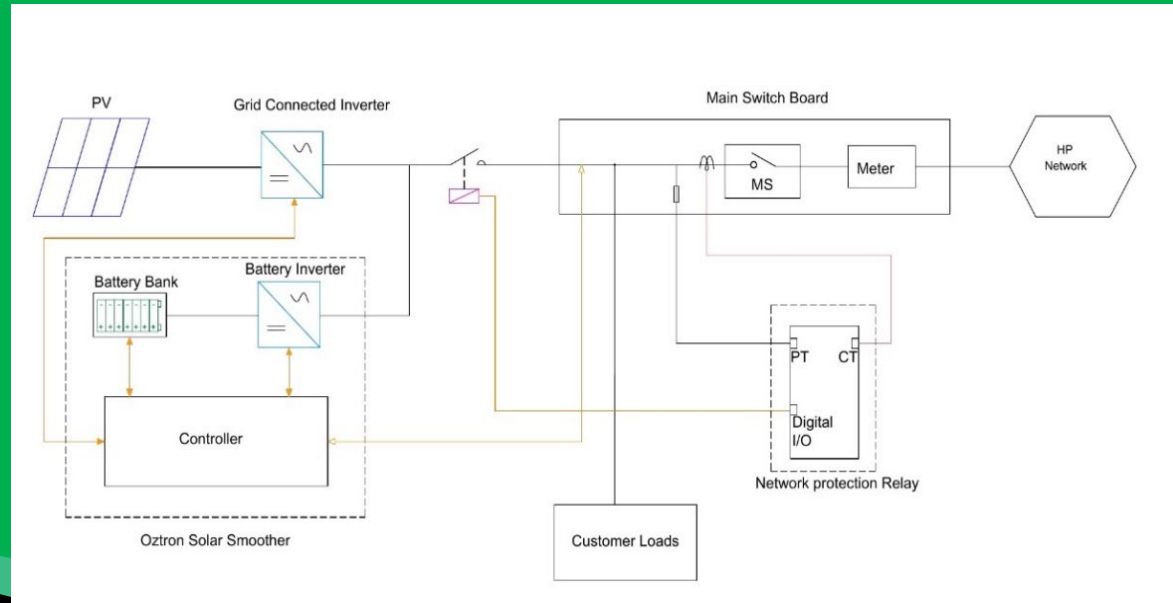
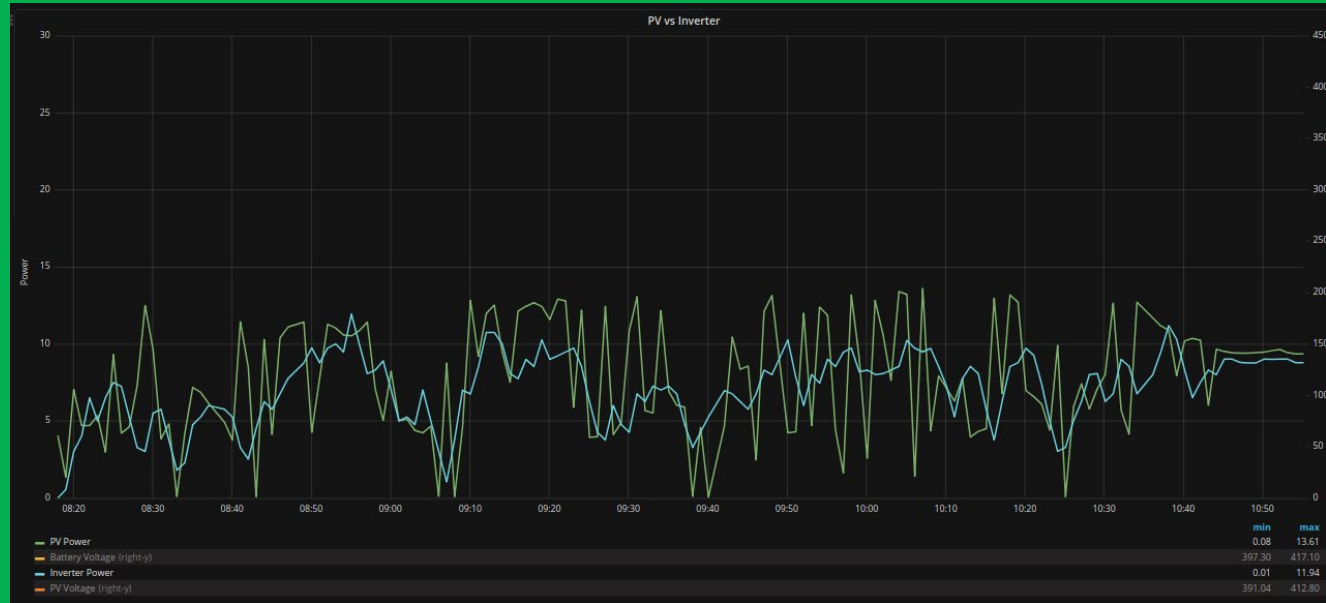


A large array of solar panels is shown from a low angle, looking up towards a bright blue sky with scattered white clouds. The panels are dark blue with a grid of silver lines. The text "Energy Management System" is overlaid in yellow, and "OZTRON ENERGY" is overlaid in white.

# Energy Management System

**OZTRON ENERGY**

# Solar Generation Management System



# Solar Generation Management Projects

- Uses AC side Battery Storage with Advanced Controls
- Controlled Ramp-up – Ramp-down as required by the Network Operator

## Recent Projects:

1. Onslow Microgrid Trial – 7 sites, 640kW total. Used with PXiSE DERMS
2. Coral Bay Caravan Park – 100kW
3. Aboriginal Health Services, Derby – 60kW
4. Canarvon Motel – 60kW
5. Cable Beach Resort, Broome – 300kW



# Energy Management System

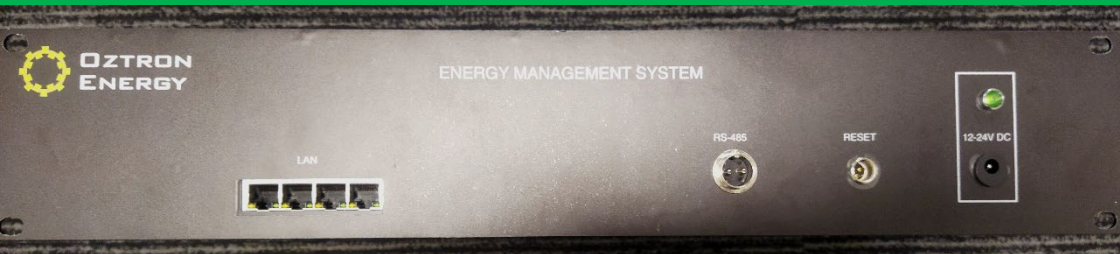


## Rack-mounted EMS for Generation Management



EMS is the Essential Part of a Renewable Energy System

Hardware-Software combination with Cloud based Database and Controls



Level 1 EMS: Integrated with the BESS:

- Controls the Batteries, Inverters and external devices
- Communicates with external Controls, Networks and Cloud
- Ensures compliance with Australian Standards
- Programmed for different applications

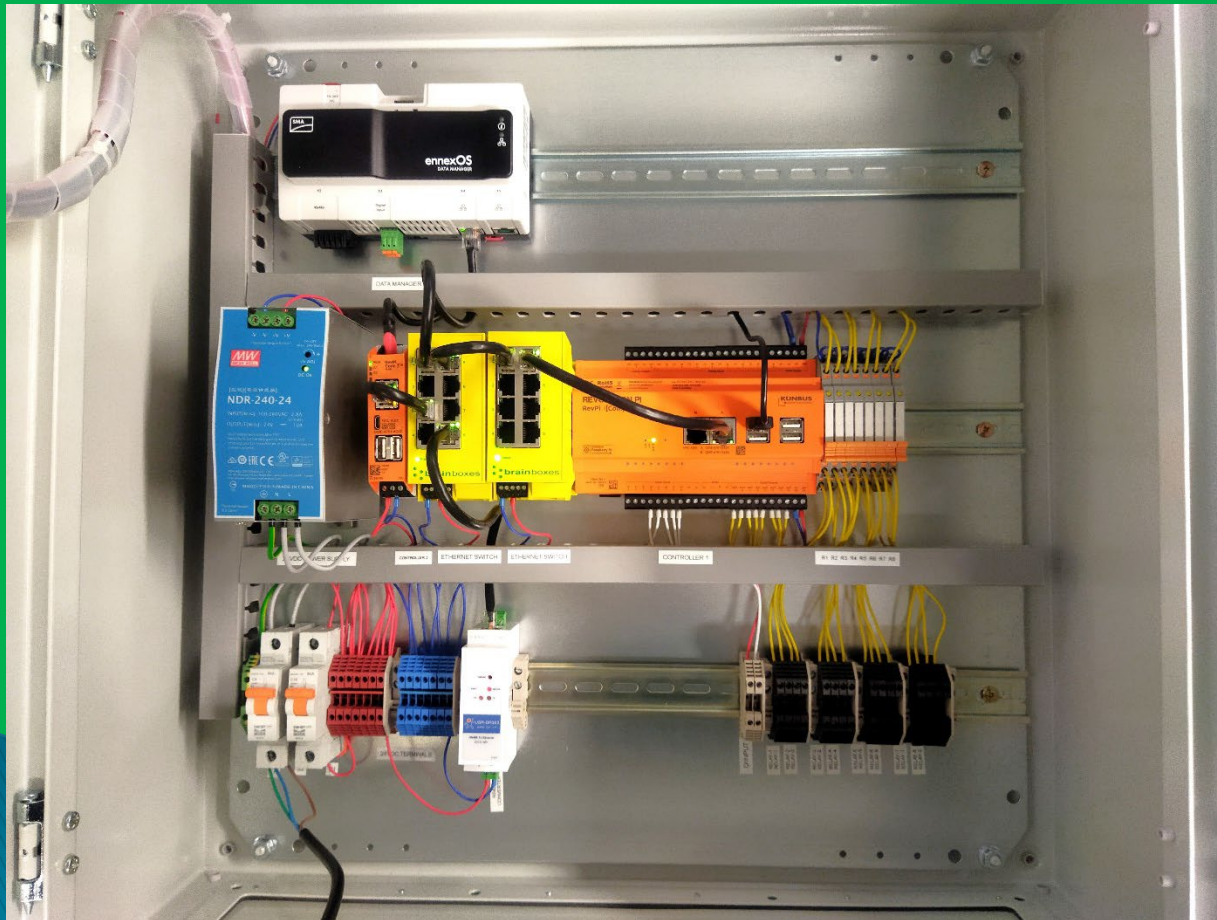
# Energy Management System

## Microgrid Management System MMS

Level 2: Overall System Controller for managing larger systems and Microgrids.

Manages various components of a Microgrid

Hardware-Software Product. Custom configured for different applications



- Protection Relays
- Power and Energy Meters
- Weather stations, temperature sensors
- HVAC equipment
- VSDs, pumps
- EV chargers
- Load switches, circuit breakers

- Solar Inverters
- Battery Inverters
- Battery BMS
- Other BESS
- Flow batteries
- Diesel and Gas generators
- Hydrogen electrolyzers

# Communications

## Currently compliant with these inverters:

- Fronius
- SMA
- Sungrow
- Sinexcel
- SolarEdge

## Other devices:

- Energy Meters: Schneider, SATEC
- Protection Relays: Woodward, ComAp, Schweitzer, ABB
- Generator Controllers: Woodward, ComAp
- BMS: Pylontech
- Modems

## Protocols:

- MODBUS TCP
- SunSpec, IEEE 2030.5
- Discrete binary (Relay)
- Analogue

More devices can be added as required

# Thank you

